

# Electrical Information

Load Cell Series	Cell Type	Upscale (4) Mode	Integral Cable Wiring	Std. Cable Type	Cable Length, Feet (5)	Connector Wiring	Mating Connector (2)
1000	Univ.	Tension	Fig. W1	A	10	Fig. C1	PC06W-10-6S(SR)
1100	Univ.	Tension	Fig. W1	A	10	Fig. C1	PC06W-10-6S(SR)
1100	Comp.	Tension	Fig. W1	A	10	Fig. C1	PC06W-10-6S(SR)
1200	Univ.	Tension	Fig. W1	A	10	Fig. C1	PC06W-10-6S(SR)
1200	Comp.	Comp.	Fig. W1	A	10	Fig. C1	PC06W-10-6S(SR)
1500	Univ.	Tension	—	—	—	Fig. C1	PT06W-10-6S(SR)
1600	Univ.	Tension	—	—	—	Fig. C2	PT06W-12-8S(SR)
1600	Comp.	Tension	—	—	—	Fig. C2	PT06W-12-8S(SR)
1700	Univ.	Tension	—	—	—	Fig. C6	PT06W-12-8S(SR)
1800	Univ.	Tension	—	—	—	Fig. C6	PT06W-10-6S(SR)
3200	Univ.	Tension	Fig. W2	B	20	—	—
3200	Comp.	Tension	Fig. W2	B	20	—	—
4200	Comp.	Tension	Fig. W2	B	20	—	—
4600	Comp.	Tension	Fig. W2	B	20	—	—
5200	Univ.	Tension (1)	Fig. W1	A	10	Fig. C1	PC06W-10-6S(SR)
SSB	Comp.	Comp.	Fig. W2	C	5	—	—
MB, MBP	Comp.	Comp.	Fig. W2	C	5	—	—
SM	Univ.	Tension	Fig. W2	C	5	—	—
SSM	Univ.	Tension	Fig. W2	A	10	Fig. C1	PC06W-10-6S(SR)
SMT	Univ.	Tension	Fig. W2	D	5	—	—
SPI	Univ.	Comp.	Fig. W2	C	5	—	—
SML	Univ.	Tension	Fig. W2	D	5	—	—
LBM	Comp.	Tension	Fig. W2	G	5	—	—
LBS	Comp.	Tension	Fig. W2	G	5	—	—
LoadCheck	Comp.	Tension	Fig. W1	A	10	—	—
LoadTrol	Comp.	Comp.	—	Note (3)	Note (3)	Note (3)	Note (3)
LW	Comp.	Comp.	Fig. W2	—	5	—	—
WeighCheck	Comp.	Tension	Fig. W2	B	30	—	—
WMC	Univ.	Tension	Fig. W3	G	—	—	—
WMC ≥15K	Univ.	Tension	—	—	—	Fig. C3	PTW1H-10-6P
2410-2430	Univ.	Tension	—	—	—	Fig. C3	PTW1H-10-6P
2440-2450	Univ.	Tension	—	—	—	Fig. C3	MS3106A-145-6S
2100	Univ.	Tension	—	—	—	Fig. C4	MS3106A-145-5S
2100	Comp.	Tension	—	—	—	Fig. C4	MS3106A-145-5S
MRT	Torque	CW	W2	D	5	—	—
ULC	Univ.	Tension	W2	D	5	—	—
MCC	Comp.	Comp.	W2	E	5	—	—
CX	—	—	—	—	—	Fig. C5	PT06W-12-8S(SR)

Notes: (1) Thrust axis only.

(2) Mating connector for the stock version of cell. Consult factory for alternate connectors and specials.

(3) Consult factory. Several connectors and mating cable types are available.

(4) Indicates the loading direction which causes a positive output.

(5) Stock length; other lengths available on special order.

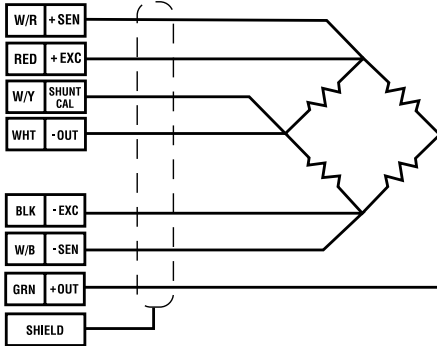
## LOAD CELL INTEGRAL CABLES

Cable Type	Wire Size	No. of Wires	Shield	Description
A	22 AWG	7	Braid	Heavy-duty, PVC jacket
B	22 AWG	4	Braid	Heavy-duty, polyurethane jacket
C	28 AWG	4	Braid	Tough, clear PVC jacket
D	28 AWG	4	Spiral	Ultra-flexible, black PVC jacket
E	30 AWG	4	Braid	Ultra-flexible, gray PVC jacket
F	20 AWG	4	Braid	Teflon jacket
G	30 AWG	4	Braid	Teflon jacket

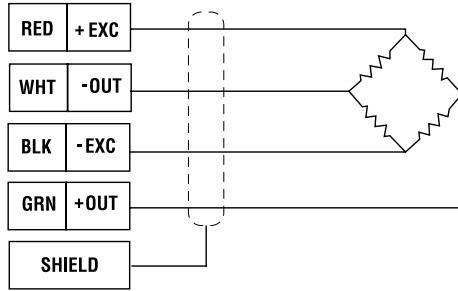
# Wiring Diagrams

## LOAD CELL CABLE WIRING

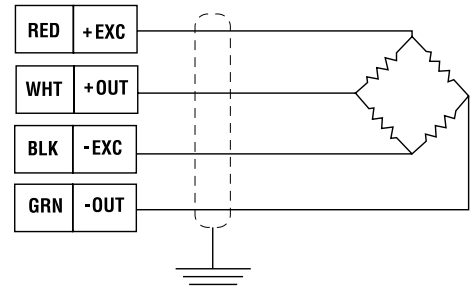
W1



W2

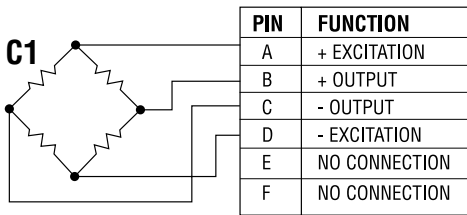


W3

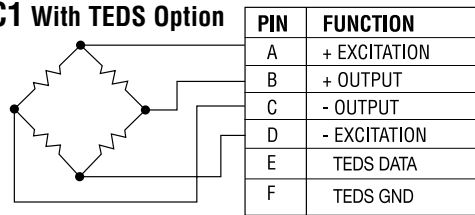


## LOAD CELL CONNECTOR WIRING

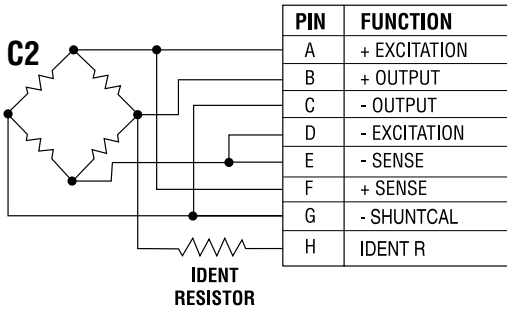
C1



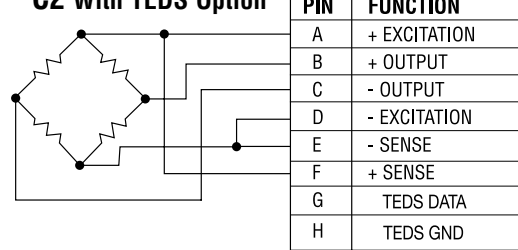
C1 With TEDS Option



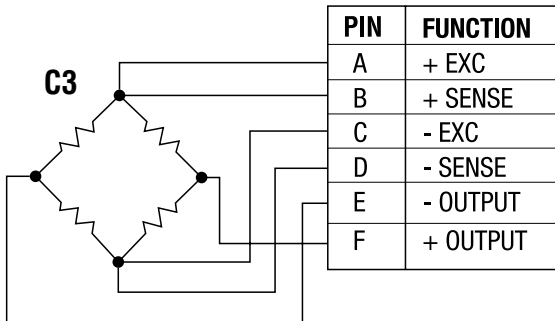
C2



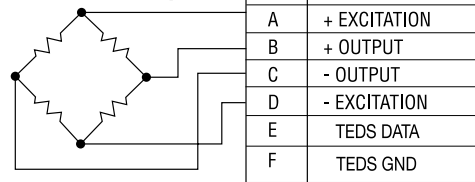
C2 With TEDS Option



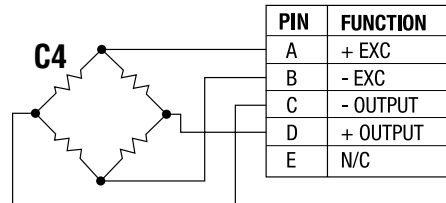
C3



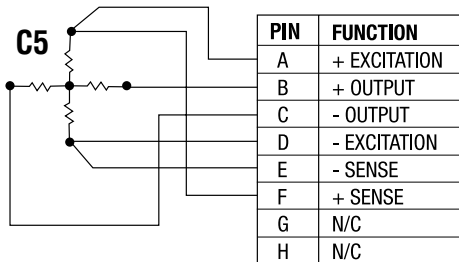
C3 With TEDS Option



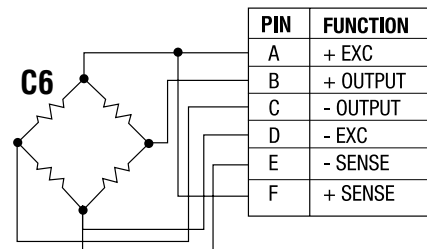
C4



C5



C6



ROTARY		CABLE ASSEMBLIES INSTRUMENT END						
MODEL	PLUG TYPE	PLUG P/N	WIRING CODE	PIGTAIL	9850 TORQUE	9850 TORQUE SPEED/ANGLE	9834 TORQUE	
RD3 & RD6	12-pin Binder	CN-225	5 & 6	CT-520-15 \$170	CT-521-20 \$265	CT-307-10 \$265		
RD6E Options	7-pin Binder	CN-224	6					
T2 ≤ 15 Nm	8-pin Binder - MINI	CN-229	3	CT-553-6M \$185	CT-301-10 \$220	CT-297-10 \$265	CT-311-20 \$210	
T2 ≥ 20 Nm	12-pin Binder	CN-225	4	CT-552-6M \$185	CT-556-6M \$220	CT-291-10 \$265	CT-310-20 \$210	
T3	12-pin Binder	CN-225	4	CT-552-6M \$185	CT-556-6M \$220	CT-291-10 \$265	CT-310-20 \$210	
T4 ≤ 15 Nm	8-pin Binder - MINI	CN-229	3	CT-553-6M \$185	CT-301-10 \$220	CT-297-10 \$265	CT-311-20 \$210	
T4 ≥ 20 Nm	12-pin Binder	CN-225	4	CT-552-6M \$185	CT-556-6M \$220	CT-291-10 \$265	CT-310-20 \$210	
T5	12-pin Binder	CN-225	4	CT-552-6M \$185	CT-556-6M \$220	CT-291-10 \$265	CT-310-20 \$210	
T6	12-pin Binder	CN-225	4	CT-552-6M \$185	CT-556-6M \$220	CT-291-10 \$265	CT-310-20 \$210	
T7	12-pin Binder	CN-225	4	CT-552-6M \$185	CT-556-6M \$220	CT-291-10 \$265	CT-310-20 \$210	
T8	3-ft cable	N/A	8				MIC-9834-CW-M	
T11	8-pin Binder - MINI	CN-229	3	CT-553-6M \$185	CT-301-10 \$220	CT-297-10 \$265	CT-311-20 \$210	
T12 ≤ 20Nm	8-pin Binder - MINI	CN-229	3	CT-553-6M \$185	CT-301-10 \$220	CT-297-10 \$265	CT-311-20 \$210	
T12 ≥ 35Nm	12-pin Binder	CN-225	4	CT-552-6M \$185	CT-556-6M \$220	CT-291-10 \$265	CT-311-20 \$210	
T14	12-pin Binder			CT-555-20 \$185				
T22	12-pin Binder	CN-225	4	CT-552-6M \$185	CT-556-6M \$220	CT-291-10 \$265	CT-310-20 \$210	
MODEL	PLUG TYPE	PLUG P/N	WIRING CODE	PIGTAIL	9850 TORQUE	9850 SPEED	9834 TORQUE	
RT10, RT12 mV/V	MS3102A-14S-6P	CN-228		CT-503-20 \$135	CT-504-20 \$155			
RT10, RT12 DC	PC04E-10-6P	MC-001		CT-161-20 \$135	CT-502-20 \$155			
RT10, RT12 std speed	2-pin					CT-510-20 \$140		
RT10, RT12 zero V speed	3-pin			CT-511-20 \$150		CT-512-20 \$140		
RT13L, RT14L mV/V	Winchester XSRM 7 PF 2000				CT-506-20 \$155			
RT13L, RT14L mV/V encoder	Winchester XSRM 7 PF 2000							
RT13L, RT14L, DC	PC02A-10-6P			CT-505-20 \$150				
RT13L, RT14L, DC, encoder	DE-9P							

CT

## REACTION

MODEL	PLUG TYPE	PLUG P/N	WIRING CODE	PIGTAIL	9850	9830	9860	9320
TS11	6-pin Binder	CN-226	1	CT-289-10 \$180		CT-288-10 \$210	CT-557-6M \$210	CT-558-6M \$250
TS12 ≤ 15 Nm	7-pin Binder - MINI		2	CT-559-6M \$185		CT-560-6M \$210	CT-561-6M \$210	CT-562-6M \$255
TS12 ≥ 20 Nm	6-pin Binder	CN-226	1	CT-289-10 \$180		CT-563-6M \$210	CT-564-6M \$210	CT-565-6M \$255
TS15	6-pin Binder	CN-226	1	CT-289-10 \$180		CT-288-10 \$210	CT-557-6M \$210	CT-558-6M \$255
TS16	6-pin Binder	CN-226	1	CT-289-10 \$180		CT-288-10 \$210	CT-557-6M \$210	CT-558-6M \$255
TS18	6-pin Binder	CN-226	1	CT-289-10 \$180		CT-288-10 \$210	CT-557-6M \$210	CT-558-6M \$255
TS19	6-Pin Lemo		10	CT-554-3M \$190		CT-566-6M \$210	CT-557-6M \$210	CT-568-6M \$255
5400	MS3102A-14S-5P		11					
5330	MS3102A-14S-6P	CN-228	9	CT-503-20 \$135	CT-507-20 \$155	CT-569-20 \$210	CT-570-20 \$210	CT-571-20 \$205
5350	Conxall 7282-GPG-300				CT-576-20 \$155	CT-572-20 \$210	CT-573-20 \$210	CT-574-20 \$205
5355	CF3102E-14S-6P	CN-228		CT-575-20 \$135	CT-577-20 \$155	CT-578-20 \$210	CT-579-20 \$210	CT-580-20 \$205
5355V	PC04E-10-6P	MC-001		CT-578-20 \$135				

<b>CODE 1</b>	6-PIN	1 EXC (-) 2 EXC (+) 3 SHIELD 4 SIG (+) 5 SIG (-) 6 Cal control - connect to pin 2		<b>CODE 5</b>	12-PIN RD3	A CAL CONTROL GND B ANGLE 1 SPEED C SIGNAL (+) D SIGNAL GND E GND - SUPPLY, ANGLE & SPEED F SUPPLY (+) G ANGLE 2 H ANGLE SUPPLY J NO CONNECTION K CAL CONTROL L NO CONNECTION M SHIELD
<b>CODE 2</b>	7-PIN MINI	1 EXC (-) 2 EXC (+) 3 SHIELD 4 SIG (+) 5 SIG (-) 6 Cal control - connect to pin 2 7 NO CONNECTION		<b>CODE 6</b>	12-PIN RD6	A SUPPLY GND B NO CONNECTION C SIGNAL (+) D SIGNAL GND E DIGITAL GND F SUPPLY (+) G ANGLE B OPTION H ANGLE A, SPEED OPTION J NO CONNECTION K CAL CONTROL L NO CONNECTION M SHIELD
<b>CODE 3</b>	8-PIN MINI	1 SUPPLY (+) 12-28VDC 2 SUPPLY GND 0V 3 SIGNAL (+) 5V 4 SIGNAL GND 0V 5 CAL CONTROL >3.5V TO ENABLE 6 ANGLE A OPTION +5V TTL 7 ANGLE B OPTION +5V TTL 8 NO CONNECTION			7-PIN	1 RANGE ACTIVATION 2 NO CONNECTION 3 NO CONNECTION 4 NO CONNECTION 5 TXD 6 RXD 7 DGND
<b>CODE 4</b>	12-PIN	A NO CONNECTION B ANGLE B OPTION C SIGNAL (+) D SIGNAL GND E GND - SUPPLY, ANGLE, SPEED F SUPPLY (+) G ANGLE A, SPEED OPTION H NO CONNECTION J NO CONNECTION K CAL CONTROL L NO CONNECTION M HOUSING		<b>CODE 7</b>	10-PIN TSR	A EXC (+) B EXC (-) C SIGNAL (+) D SIGNAL (-) E ENCODER GND F ENCODER SUPPLY G CW LEAD H CCW TRAIL J ID GROUND K ID DATA READ
<b>CODE 8</b>	BRWN	EXC (+)	<b>CODE 8</b>	T8	BRWN EXC (+) GRN EXC (-) YEL SIG (+) WHT SIG(-) SHIELD	
<b>CODE 9</b>	A	+EXC	<b>CODE 9</b>	5330	A +EXC B +SENSE C -SENSE D -EXC E -SIG F +SIG	
<b>CODE 10</b>	6-Pin Lemo	1 -EXC GREEN 2 +EXC BROWN 3 SHIELD SHIELD 4 +SIGNAL YELLOW 5 -SIGNAL WHITE 6 SHUNT CAL GRAY		<b>CODE 11</b>	A +EXC B +SIG C -SIG D -EXC E N/C	